



Alacrity MJ4209

Handheld/Hand-free Laser Barcode Scanner



Characteristics

Rugged Construction

Anti-1.8M drop shock. Structural stability, long-term use to meet the 24 hours required.

Wide Scanning Range

Whether close to 2.5mm, or as far as 600mm, can easily scan all UPC / EAN barcode.

Efficient, Fast, Comfortable Scanning

MJ4209 has a powerful scanning capabilities and a wider scanning range, can quickly and accurately collect data. The plug-and-play installation design makes this product installation and use is very convenient, need hardly receive any training.

Supports Multiple Interfaces

Supports RS232, USB, KBW, a variety of interfaces to ensure that your existing and future terminal equipment.

Ergonomic Design

Smooth, coordinated shape can reduce user fatigue, allowing the operator comfortable and efficiency improved significantly.

Handheld And Auto-Induction

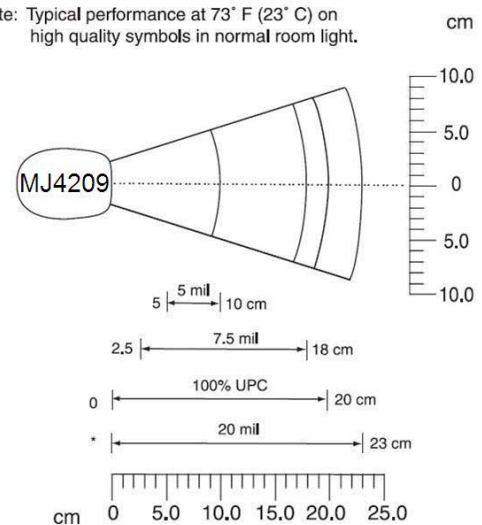
Support Press button, Automatic continuous scan Auto-induction, three scanning mode And can switch at any time.

Simple sets

Simple set, Don't spend too much time to understand the product to use, saving you valuable time.

MJ4209 Decode Zone

Note: Typical performance at 73° F (23° C) on high quality symbols in normal room light.

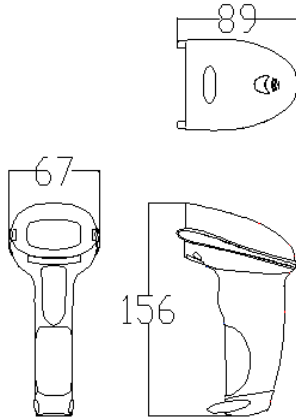


Depth of field

Alacrity MJ4209 parameter list

Physical Characteristics

Dimensions : 15.6 cm* 6.7 cm* 8.9cm



Net weight : 115 g

Material : ABS+PC

Voltage : 5 V +/- 10%

Current:110mA , idle 10mA

color: gray, black

Performance Characteristics

Scanner type: bi-directional

Light source:650nm Visible laser diode

Scanning Rate:100 scans per second

Scanning distance:2.5mm-600mm

Scanning scope:18CM

Print contrast: 25% minimum reflective difference

①Roll(tilt): +/- 30degrees

②Pitch: +/- 45 degrees

③Skew(yaw): +/- 60 degrees

DecodeCapability :UPC/EAN,UPC/EANwithsupplementals

Code128,UCC/EAN128,Code39Code39FullASCII,

Code128FullASCII,Codabar,Interleaved2of5,Code93,

MSI,Code11,ISBN,ISSN,china post code, etc

Bit error rate: 1/500million

Resolution:4mil(0.1mm)

Tip : buzzer and led

Scanning mode : Press button, Automatic continuous scan

Auto-induction,

Working times of button : one million times

Working hours of laser:10000hours

④Interfaces supported: RS232,keyboard wedge, USB.

Cable length: 2M

User Environment

Working temperature 0°C-45°C/32°F-104°F

Storage temperature: -40°C-60°C/-40°F-140°F

Relative humidity:5%-95%(Non-condensing)

Anti-shock design :withstand 1.8M drops

Ambient light immunity: immune to direct exposure of normal office and factory lighting conditions,

As well as direct exposure to sunlight.

Regulatory

Electrostatic discharge: certified to ± 15 KV air discharge and ± 8 KV of contact discharge

EMI/RFI : FCC Part 15 Class B,European Union EMC Directive,Taiwan EMC,CE

Laser safety: CDRH Class II,IEC Class 2

environmental protection: certified to RoHS directive 2002/95/EEC

Standard Configuration

Manual, Product Certification, Stand(optional),USB Cable

Warranty

The MJ4209 is warranted against defects in workmanship and materials for a period of 2 years (24 months) from date of shipment, provided that the product remains unmodified and is operated under normal and proper conditions. See full warranty for details.

- ①. Roll (Tilt): Controlled by rotating the wrist clockwise or counterclockwise
- ②. Pitch: Controlled by dropping or raising the wrist
- ③. Skew (Yaw): Controlled by rotating the wrist from left to right or vice versa
- ④ Standard configuration-USB cable

For more information about MJ4209, please visit our website and mail

Accessories Description

A , About Stand

Adjustable stand

Color : Black, Gary

Material: ABS+PC

Weight:189g

Adjustable angle:90 degrees

For : MJ4209



Stand figure

Stand render

When the barcode scanner working on the Auto-induction mode or Automatic continuous scan mode. With the stand , To avoid duplication of key action.

In order to facilitate transportation, the stand delivery in the form of parts.



Stand render figure

B , About cable

Use the different interface cable, Please scan set-barcode to match the selected cable

USB Cable (Standard configuration)

RS-232cable(not including +5VDC)

Cable weight

USB : 97g

RS-232 : 114g

KBW : 128g

Cable signal

The laser barcode scanner interfaces terminate to a 10-pin RJ45.RS232,PS2 keyboard ,USB

Signal Table

Cable	PS2 keyboard	RS-232/TTL	USB
Pin	Function	Function	Function
1	NC	NC	NC
2	+5V	+5V	+5V
3	GND	GND	GND
4	PCCLK	RXD	D-
5	NC	NC	NC
6	NC	NC	NC
7	NC	NC	NC
8	PCDATA	RTS	D+
9	KBDATA	TXD	NC
10	KBCLK	CTS	NC